

GENERAL CHARACTERISTICS



The principle of operation is of potentiometric type, based on the gradual shutdown of a chain of resistors and reed contacts, placed inside the guiding rod, by a magnetic float. The only moving element is the float that moves, for buoyancy, along the measuring rod. This ensures a high degree of reliability.

Set point and output signal are adjustable on the device or more easily remotely via the My-Valco smartphone App

- **Brass – Spansil**
- Measuring resolution 5 – 10 – 20 mm.
- Local indicator 4 digit (9999)
- Display and electrical connection are independently rotatable 335°/343°
- Analogue output switchable mA or V
- Parametrization via NFC communication system through APP
- Integrated data logger function
- Up to 6m length
- Maximum working pressure 20 Bar
- Operating ambient temperature -30/+55°C UR 90%.
- Standard working temperature up to 105°C. Executions up to 120°C on request.
- Minimum degree of protection IP65.



..... don't forget to download MyValco App
.....the fastest way to setup your device



FLOATS

Tab.1



Material	Spansil – Butadiene - Acrylonitrile Copolymer			
Specific gravity	0,4	0,4	0,35	0,45
Measuring resolution - mm	5 - 10	5 - 10	5 – 10 – 20	5 – 10 – 20
Max. bar	20	20	20	20
Max. °C - Class	L = 105°C			
on request	M = 120°C			

ELECTRICAL OUTPUT - DATA - DIMENSIONS mm Tab.2

DSV		P0		TECHNICAL DATA	
IP65	Adjustable head display 343° max rotatable	M12x1 male connection 343° max rotatable	Display protective cup on request	Output signal	4-20 mA, 0-5 VDC, 1-6 VDC 0-10 VDC, switchable mA or V
IP67 with connection cable M12x1 plug on request KPU02SG				Switching output	N. 2 SW - PNP transistors
				Display units	mm, inch, user scale, %FS
				Logger	Ring buffer: 3518 data points Sampling time 0.1 ... 999.9 s. Off (0)
				All parameters can be directly set on the device using the capacitive keys or more simply from your mobile phone via MyValco App	
				Factory setting	Output signal 4...20 mA Display unit in mm

PROCESS CONNECTIONS

Tab.3

All type of floats All type of thread	Float type	Installation from outside						FOHX Flange	DN65 Flange
		20 3/4"	25 1"	32 1-1/4"	40 1-1/2"	50 2"			
	B28	G-C-N	G-C-N	-	-	-	•	-	
	B20	-	G	G-C-N	-	-	•	-	
	B44	-	-	-	G	G-C-N	-	•	
	B45	-	G	G-C-N	G-C-N	-	•	-	

Male thread

G	C	N
Parallel UNI 228/1	Conical UNI 7/1	Conical NPT

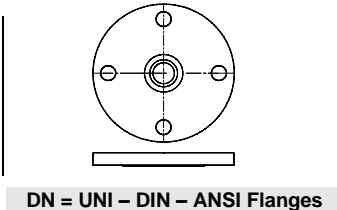
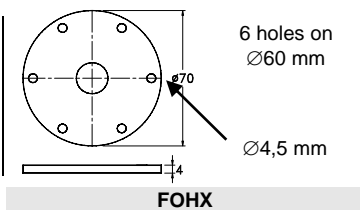
Available materials

O	S
Brass	AISI-316 On request

DN = Available materials

C	S
Steel	AISI-316 On request

FLANGES Dimensions in mm.

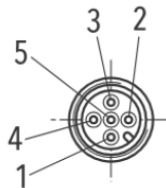


A Flanged connection
A1 Threaded connection

WIRING

Input protection	IP67 - with KPU02SG cable
Connection	M12x1 - 5 pole

Pin configuration



1	+
2	Analog output
3	-
4	SW1 - PNP transistor switch
5	SW2 - PNP transistor switch

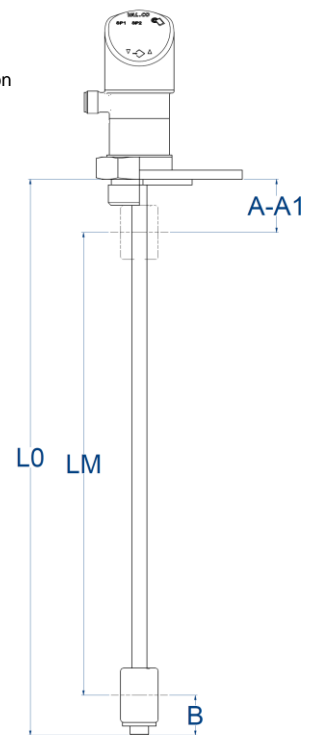
DIMENSIONS mm.

Tab.4

The dimensions L0 and LM refer to the stop of the fitting (A1) or flange (A) connection.
Tolerance on dimension L0 and LM ± 3 mm.

	B28	B20	B44	B45
A	15	10	25	25
A1	30	25	45	40
B	20	15	30	30

Damping tube On request	-	- L Aluminium	- O Brass
-----------------------------------	---	------------------	--------------



NOMENCLATURE

LCD B45 10 1300 / 1400 O -L 25 G O DSV L

Character	Description	Reference
•	Type: LCD	
•	Float	Tab.1
•	Measuring resolution (mm).	Tab.1
•	Measuring length LM / Total length L0 (mm).	Tab.4
•	Rod material.	Tab.3
•	Damping tube (option).	Tab.4
•	Process connection dimension.	Tab.3
•	Process connection thread.	Tab.3
•	Process connection material.	Tab.3
•	Electrical display output.IP65/IP67	Tab.2
•	Temperature class.	Tab.1
K	2m. length connection cable M12x1 plug IP67	Tab.2
PU	Accessory on request	Tab.2
02	Accessory on request	Tab.2
S	Accessory on request	Tab.2
G	Accessory on request	Tab.2
P0	Display protection cup	Tab.2